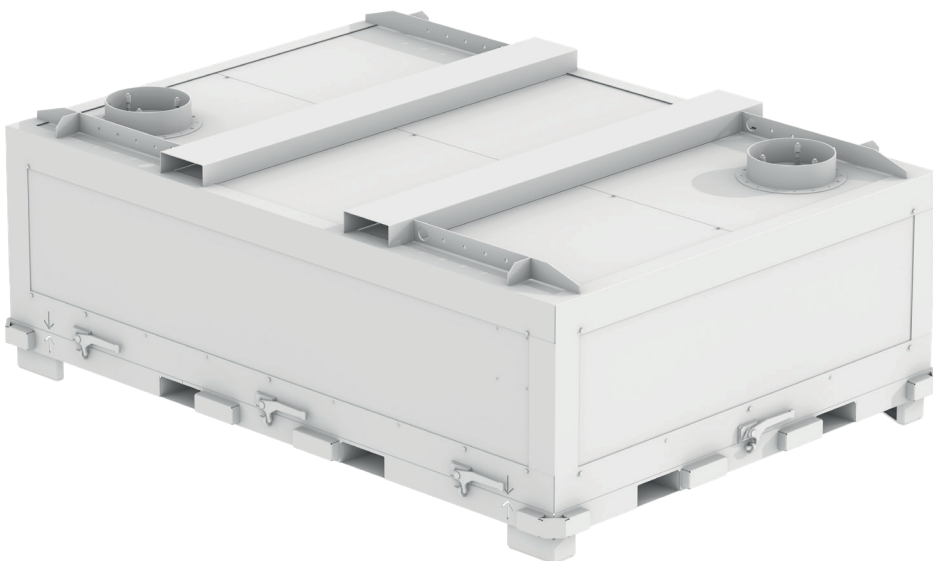
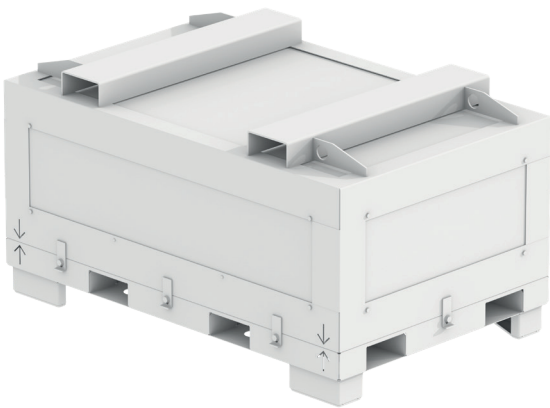


HAZARDOUS MATERIALS CONTAINERS

STORAGE AND TRANSPORTATION OF LI-ION BATTERIES



LITHIUM-ION TRANSPORT CONTAINER TYPE LIP-F 400

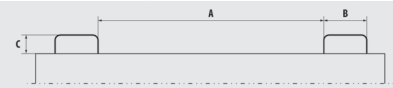


Safe transportation of damaged or defective li-on batteries. This packaging was tested and complies with the requirements set out in ADR Packing Instructions P 911 for **max. 14.7 kWh PHEV batteries.**

- sturdy hot-dip galvanized base frame, 4-way fork entry
- 100 mm ground leeway
- spill tray with fireproof plate to collect electrolyte
- 6 lashing points, 3 lashing straps included
- cover made of steel plate with fireproof panels
- 2 fork pockets to remove/lift cover
- 4 crane lifting eyes to remove/lift cover
- cover screwed to base frame
- positioning aid

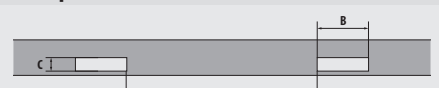


Fork pocket inside dimensions cover in mm



A	B	C
690	170	80

Fork pocket inside dimensions base frame in mm



A	B	C
378	185	80

UN-APPROVAL

Ⓡ 4A/X650/S/**/GB/6923

	Volume in m ³	Ext. dimensions (l x w x h) in mm	Int. dimensions (l x w x h) in mm	Can be stacked	Total permitted weight in kg	Weight approx. in kg
LIP-F 400	0,4	1590 x 1040 x 845	1290 x 760 x 405	max. load 1950 kg	650	376

Finish cover:

RAL 2000

RAL 3000

RAL 5012

RAL 6011

RAL 7005

LITHIUM-ION TRANSPORT CONTAINER TYPE LIP-F 400-1



Safe transportation of damaged or defective li-on batteries. This packaging was tested and complies with the requirements set out in ADR Packing Instructions P 911 for **max. 14.7 kWh PHEV batteries.**

- sturdy hot-dip galvanized base frame, 4-way fork entry
- 100 mm ground leeway
- spill tray with fireproof plate to collect electrolyte
- 6 lashing points, 3 lashing straps included
- **detachable lid with fireproof panel**
- 2 handles and 4 crane lifting eyes to lift the lid
- cover screwed to base frame
- positioning aid



Fork pocket inside dimensions base frame in mm

	A	B	C
Diagram			
	378	185	80

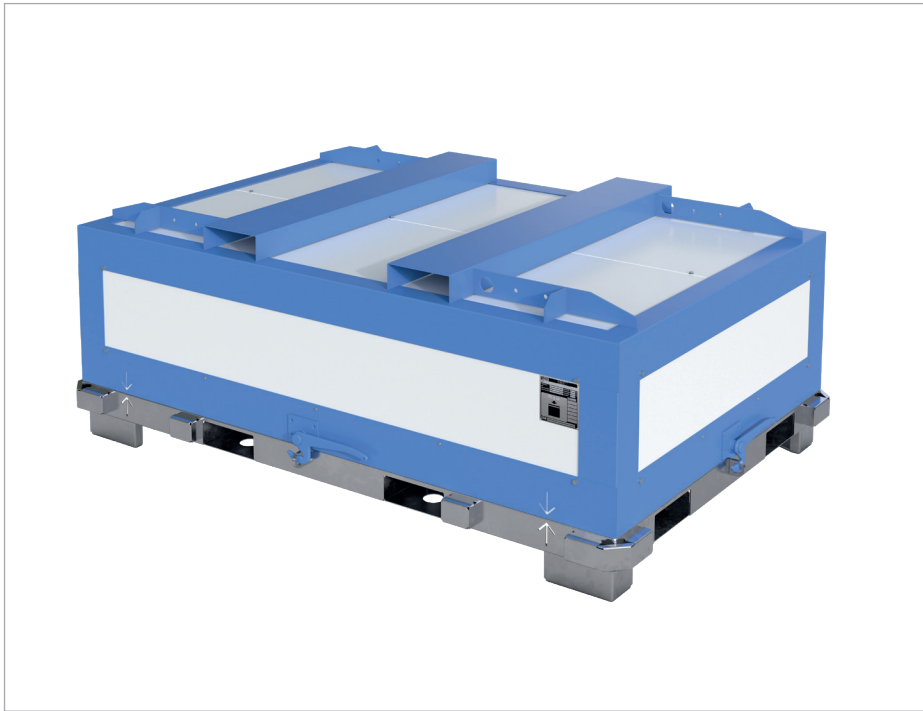
UN-APPROVAL

Ⓢ 4A/X650/S/**/GB/6923

	Volume in m ³	Ext. dimensions (l x w x h) in mm	Int. dimensions (l x w x h) in mm	Can be stacked	Total permitted weight in kg	Weight approx. in kg
LIP-F 400-1	0,4	1590 x 1040 x 845	1290 x 760 x 405	max. load 1950 kg	650	358

Finish cover/lid:	RAL 2000	RAL 3000	RAL 5012	RAL 6011	RAL 7005

LITHIUM-ION TRANSPORT CONTAINER TYPE LIP-F 830



Safe transportation of critical defective li-ion batteries. This packaging was tested and complies with the requirements set out in ADR Packing Instructions LP 906 for **max. 42.2 kWh BEV batteries.**

- sturdy hot-dip galvanized base frame, 4-way fork entry
- 100 mm ground leeway
- spill tray with fireproof plate to collect electrolyte
- 10 lashing points, 3 lashing straps included
- cover made of steel plate with fireproof panels
- 2 fork pockets to remove/lift cover
- 4 crane lifting eyes to remove/lift cover
- angle lever locks secure the cover to the base frame
- cover screwed to base frame
- positioning aid
- collision protection



Fork pocket inside dimensions cover in mm

A	B	C
520	220	80

Fork pocket inside dimensions base frame in mm

A	B	C
520	220	80

UN-APPROVAL

UN 50A/X/****/GB/BAUER-7465/2242/1195

	Volume in m ³	Ext. dimensions (l x w x h) in mm	Int. dimensions (l x w x h) in mm	Can be stacked	Total permitted weight in kg	Weight approx. in kg
LIP-F 830	0,77	2180 x 1480 x 845	1840 x 1160 x 355	---	1195	545

Finish cover:

RAL 2000

RAL 3000

RAL 5012

RAL 6011

RAL 7005

LITHIUM-ION TRANSPORT CONTAINERS TYPE LIP-F 2800 / 2900

Safe transportation of critical defective li-ion batteries. This packaging was tested and complies with the requirements set out in ADR Packing Instructions LP 906 for **max. 144 kWh BEV batteries.**

- sturdy hot-dip galvanized base frame, 4-way fork entry
- 100 mm ground leeway
- spill tray with fireproof plate to collect electrolyte
- 18 lashing points, 4 lashing straps included
- cover made of steel plate with fireproof panels
- 2 fork pockets to remove/lift cover
- 4 crane lifting eyes to remove/lift cover
- angle lever locks secure the cover to the base frame
- **2 adjustable pressure relief valves**
- cover screwed to base frame
- positioning aid
- collision protection



Fork pocket inside dimensions cover in mm

A	B	C
720	220	80

Fork pocket inside dimensions base frame in mm

A	B	C
720	220	80

UN-APPROVALS

- UN 50A/X/***/GB/BAUER-7276/0/1947
- UN 50A/X/***/GB/BAUER-7466/0/2146

	Volume in m ³	Ext. dimensions (l x w x h) in mm	Int. dimensions (l x w x h) in mm	Can be stacked	Total permitted weight in kg	Weight approx. in kg
LIP-F 2800	2,8	2880 x 2080 x 1040	2540 x 1750 x 545	---	1947	980
LIP-F 2900	2,9	3200 x 2000 x 1120	2870 x 1670 x 620	---	2146	1146

Finish cover:

RAL 2000

RAL 3000

RAL 5012

RAL 6011

RAL 7005